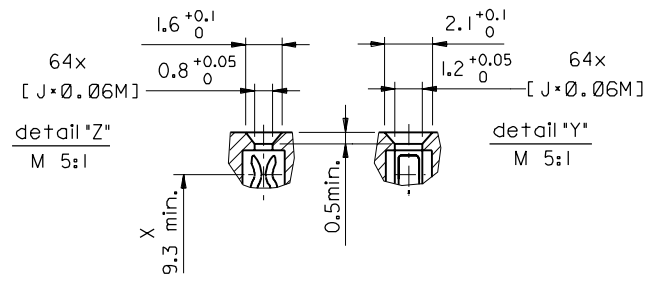
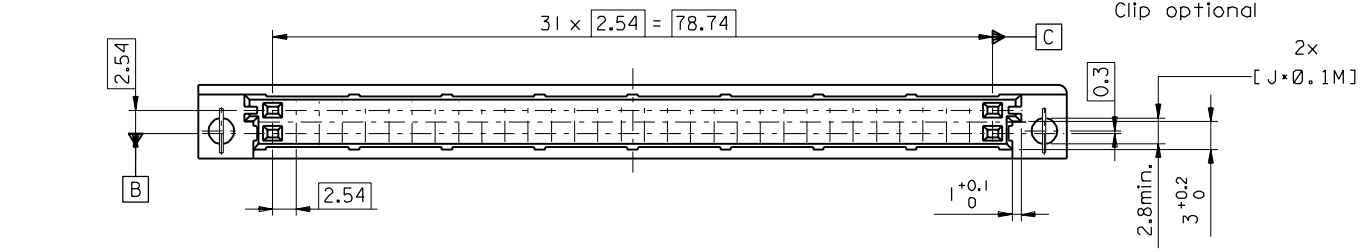
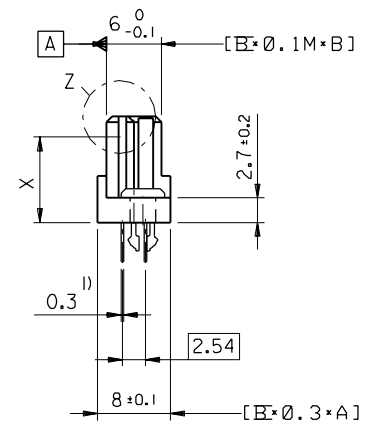
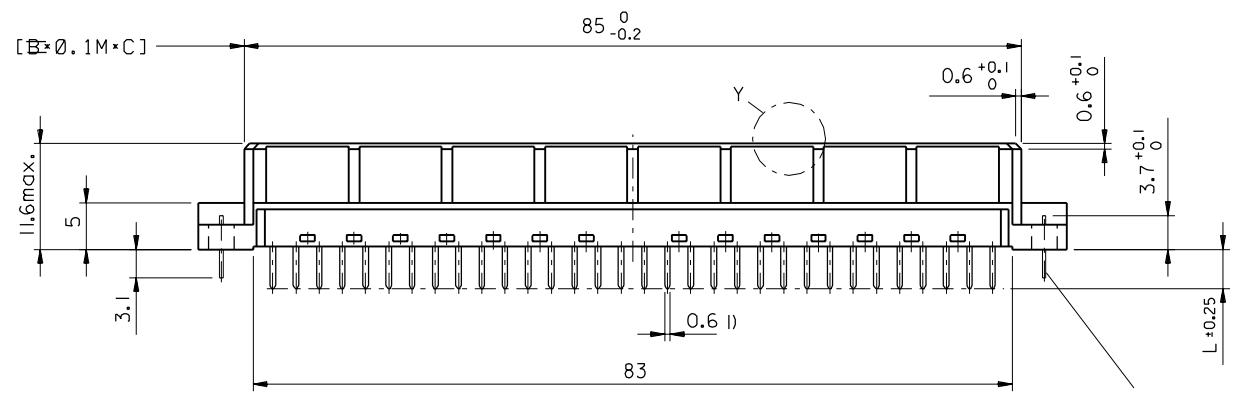


1) tails to fit in PC-board layout



ECN MG1998-2727 new fixing clip 98-04-14 Co	REVISIONS	3 PLACE ±	±
		2 PLACE ±	±
LTR	FOR PREVIOUS REVISIONS SEE MRI LIST	1 PLACE ±	±
		DRAFT WHERE APPLICABLE MUST REMAIN WITHIN DIMENSIONS	
C	LTR	DESIGN DIMENSION	<input checked="" type="checkbox"/> MM <input type="checkbox"/> IN.
		EQUIVALENT DIMENSION	<input type="checkbox"/> MM <input type="checkbox"/> IN.
IF TWO DIMENSIONS ARE SHOWN THE UPPER IS THE DESIGN DIMENSION, LOWER IS SECONDARY		SCALE	2:1

FIRST ANGLE PROJECTION		REVISE ONLY ON CAD SYSTEM		SH.	REV.
DRWG BY	KN	CAECAM PROJECT NAME	85040000 611	THIS DRAWING CONTAINS INFORMATION THAT IS PROPRIETARY TO MOLEX INC. & SHOULD NOT BE USED WITHOUT WRITTEN PERMISSION	
CHK'D BY	Ca	TITLE	64 pos. Female connector DIN 41612 style B + clip Dimensions		
APP'D BY	JB	MOLEX EUROPE		SHEET NO.	DATE
SCALE		PART NO.		1 OF 1	95/11/14
		DWG NO.		SDA-85040-0001	SIZE B

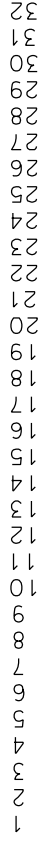
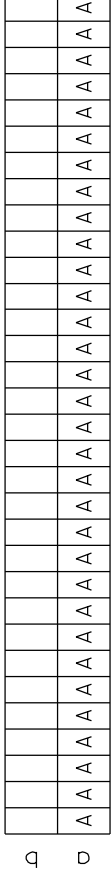
5

4

3

2

View on mating side



F

E A = 32 contacts L=4,5

D

Marking	Standard
Performance level	G2/0 = Contact area level2 / Termination tin
Flux proof	no
Fixing clip	no
Dimensions	SDA-85040-0001 sht.1
Technical Data	PS-85042-0001

C

B Contact position number

Contact position number

REVISE ONLY ON CAD SYSTEM SH. REV.

ECN 2264 Product spec.	FOR PREVIOUS REVISIONS SEE MRL LIST			UNLESS OTHERWISE SPECIFIED TOLERANCES: ANGULAR ±2° INCH METRIC	DRWG BY <b>Ca</b>	SIGN	CAD/CAM PROJECT NAME s9504002 S11		THIS DRAWING CONTAINS INFORMATION THAT IS PROPRIETARY TO MOLEX INC. & SHOULD NOT BE USED WITHOUT WRITTEN PERMISSION	
	REVISIONS	3 PLACE ± .	±		CHK'D BY <b>KN</b>	SIGN	TITLE <b>64 pos. female connector acc. DIN 41612 style B contacts arrangement</b>		SHEET NO. DATE 1 OF 1 96/05/15	
LTR	DRAFT WHERE APPLICABLE MUST REMAIN WITHIN DIMENSIONS		DESIGN DIMENSION <input type="checkbox"/> MM <input type="checkbox"/> IN. EQUIVALENT DIMENSION <input type="checkbox"/> MM <input type="checkbox"/> IN. <small>IF TWO DIMENSIONS ARE SHOWN, THE UPPER IS THE DESIGN DIMENSION, LOWER IS SECONDARY</small>		APP'D BY	SIGN	PART NO.		DWG NO. SIZE 85040-0218 SDA-85040-0218 A	
A-1	A-1			SCALE		molex MOLEX EUROPE			1 OF 1	

A